



MINING

12HKP3000LDS

Specification

H/Duty LED Lighting Towers built for extended service life in mining conditions



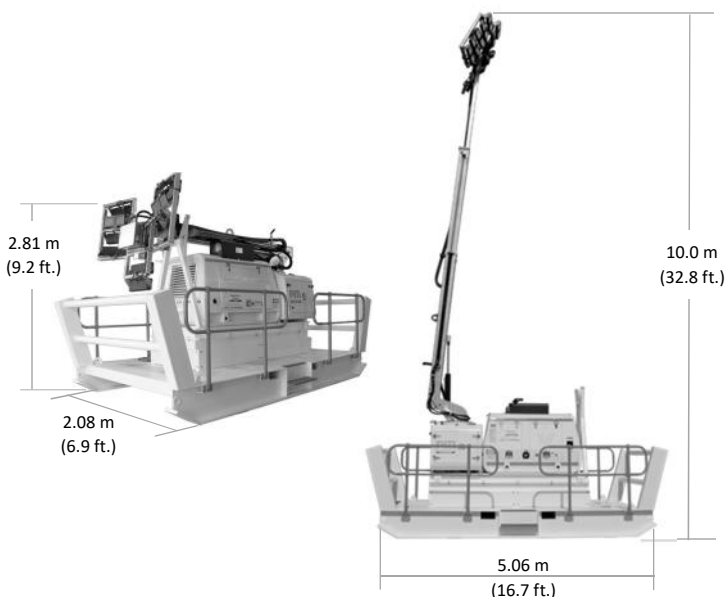
FEATURES

- ✔ Over 50 – 70% Reduction in Fuel Consumption
- ✔ Mine Spec'd as Standard
- ✔ Extra Low Voltage (Electrocution Risk Eliminated)
- ✔ Immediate Light Start Up
- ✔ Reduction in Running & Maintenance Costs
- ✔ 50,000 Hour Light Life
- ✔ 500 Hour Service Intervals (selected models)

SPECIFICATIONS

Lights	Pit Master H-Duty PM112
Light Output	336,000 Lumens (3,040W)
Tower Voltage	24VDC
Alternator	4 Pole Direct Drive
Engine	Kubota Z482
Fuel Capacity	215 L (56.8 gal)
Fuel Tank Hours	268 Hours
Total Weight (No Fuel)	4,400 kg (9,700 lbs)
Skid Base	HD Steel with 20 mm Biz Wear Plates
Boom	Hydraulic Lift/Extension
Boom Rotation	Hydraulic Rotation 340°
Tow Chains	Tow Chains for Each End

MEASUREMENTS



STANDARD INCLUSIONS

Controls	Electronic Controller – Auto Start/Stop
Engine Protection	Fail Safe Shutdown – Temp, Oil & Water
Radiator	Mine Safe Radiator Cap
Battery Isolation	Single Pole with Lock Out
Start Isolation	Single Pole with Lock Out
MDG15 Electrical	As per Regulated Standards
MDG41 Hydraulic	As per Regulated Standards
E-Stop	Standard Fitment
Safety Rails	Standard Fitment
Fuel Tank	Double Bunded
Fire Extinguisher	4.5 kg (9.9 lb) Standard
Oil Recovery	Oil Evacuation Tap
Fuel Recovery	Fuel Evacuation Tap
Jump Start	Cat or Anderson Plug
Service Upgrades	500 Hour Water Separator, Filter Upgrade 500 Hour Service Sump

TOWER OPTIONS

Fast Fill	Multi Flow Fast Fill Kit
Oil Recovery	Wiggins Oil Evacuation Kit
Fuel Warning	Red Fuel Warning LED Beacon

