



# MINING **8HTM2000** Specification

H/Duty LED Lighting Towers built for extended service life in mining conditions

# PIT MASTER

LED LIGHTING TOWERS



8HTM2000 LED LIGHTING TOWER  
SPECIFICATIONS

H/DUTY MINING

## FEATURES

- ✓ Over 50 – 70% Reduction in Fuel Consumption
- ✓ Mine Spec'd as Standard
- ✓ Extra Low Voltage (Electrocution Risk Eliminated)
- ✓ Immediate Light Start Up
- ✓ Reduction in Running & Maintenance Costs
- ✓ 50,000 Hour Light Life
- ✓ 500 Hour Service Intervals (selected models)



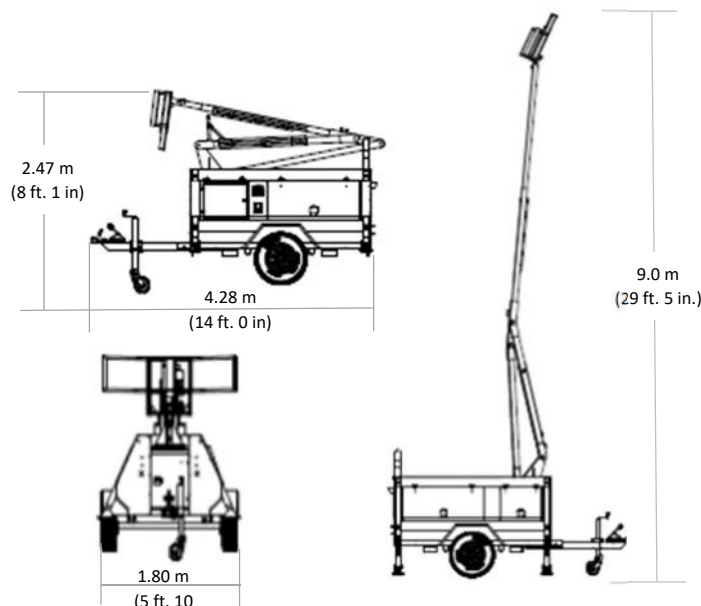
## SPECIFICATIONS

Lights	Pit Master H-Duty PM112
Light Output	210,000 Lumens (1,900W)
Tower Voltage	24VDC
Alternator	4 Pole Direct Drive
Engine	Kubota Z482
Fuel Capacity	215 L (56.8 gal)
Fuel Tank Hours	268 Hours
Wheel Size	4 x 4 Rims Off Road Tyres 225/75/R16
Total Weight (No Fuel)	1,920 kg (4,232 lbs)
Boom	Hydraulic Lift/Extension
Boom Rotation	Hydraulic Rotation 340°
Legs	Hydraulic Operation

## STANDARD INCLUSIONS

Controls	Electronic Controller – Auto Start/Stop
Engine Protection	Fail Safe Shutdown – Temp, Oil & Water
Radiator	Mine Safer Radiator Cap
Battery Isolation	Single Pole with Lock Out
Start Isolation	Single Pole with Lock Out
MDG15 Electrical	As per Regulated Standards
MDG41 Hydraulic	As per Regulated Standards
E-Stop	Standard Fitment
Wheel Chocks	Standard Fitment
Chassis/Sub Frame	Hot Dipped Galvanised
Mud Guards	Hot Dipped Galvanised
Fuel Tank	Double Bunded
Tow Hitch	50 mm Ball or 75 mm Pintle Ring
Jockey Wheel	Heavy Duty Swing Away
Wheel Nut Indicators	Standard Fitment
Fire Extinguisher	4.5 kg (9.9 lb) Standard
Oil Recovery	Oil Evacuation Tap
Fuel Recovery	Fuel Evacuation Tap
Jump Start	Cat or Anderson Plug
Service Upgrades	500 Hour Water Separator, Filter Upgrade 500 Hour Service Sump

## MEASUREMENTS



## TOWER OPTIONS

Fast Fill	Multi Flow Fast Fill Kit
Oil Recovery	Wiggins Oil Evacuation Kit
Fuel Warning	Red Fuel Warning LED Beacon
Wheel Accessories	Spare Wheel Carrier & Tyre Mud Flaps



24-32 Interlink Court, Paget, Mackay Qld 4740  
Phone: 61 7 4998 5061  
Fax: 61 7 4998 5062  
Email [info@pitmaster.com.au](mailto:info@pitmaster.com.au)

[WWW.PITMASTER.COM.AU](http://WWW.PITMASTER.COM.AU)



©Southern Cross Group – V4